

METALLIA CCT

Decorative Outdoor LED Wall Light

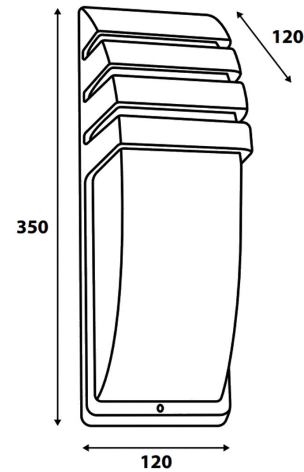
The Metallia Outdoor LED Wall Light is made from a corrosion-resistant aluminium frame available in either a powder-coated black or white finish.

Specifications

System Power	10W SMD
Lumen Output	370lm
Dimmable	Yes
Colour Temperature	3000K Warm White 4000K Cool White 5000K Daylight
CRI Rating	> 80
Voltage Input	220-240VAC @ 50/60Hz
Ingress Rating	IP54
Warranty	3 years



Dimensions



Options & Accessories



White



Black

Order Code

Colour Finish

LA30



328 Black

329 White



Read more