

## SOLA 18W

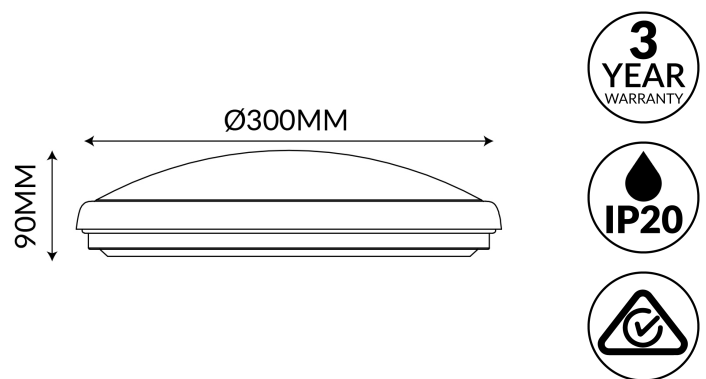
18W LED Oyster

### Specifications

System Power	18W
CRI Rating	CRI >80
Ingress Rating	IP20
Lifetime	30,000
Lumen Output	1440lm - 1665lm
Voltage Input	240V
Warranty	3 Year Warranty
Dimmable	No
Optical	Frost Diffuser
Light Beam Angle	120°
Colour Temperature	3000K / 4000K / 5000K Tri-Colour
Light Source	SMD LED
Driver	Integral



### Dimensions



Order Code LA50201

