

SOLA 24W

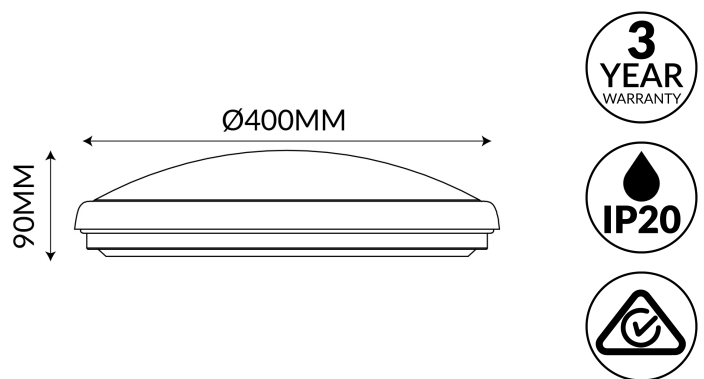
24W LED Oyster

Specifications

System Power	24W
CRI Rating	CRI >80
Ingress Rating	IP20
Lifetime	30,000 Hours
Lumen Output	2110lm - 2475lm
Voltage Input	240V
Warranty	3 Year Warranty
Dimmable	No
Optical	Frost Diffuser
Light Beam Angle	120°
Colour Temperature	3000K / 4000K / 5000K Tri-Colour
Light Source	SMD LED
Driver	Integral



Dimensions



Order Code LA50202

